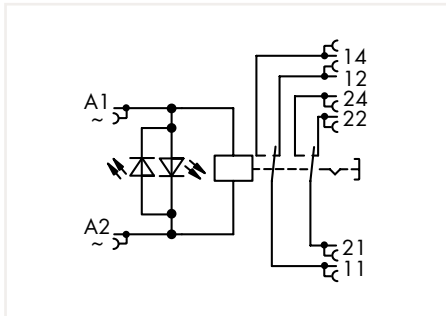


Relay Module 789 Series



Similar to pictured device

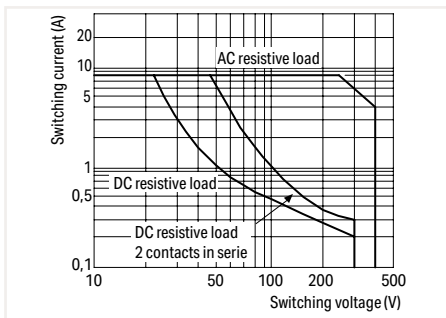


Relay Module; 2 changeover contacts; Limiting continuous current: 8 A; manually operated; Status indicator: red; 18 mm wide

U_N	I_N	Item No.	Pack. Unit
230 VAC	3.5 mA	789-1549	10

Note:

To protect the relay coils and contacts, inductive loads must be dampened with an effective protection circuit.



Load Limit Curve

Control Circuit

Input voltage range	$\pm 10\%$
---------------------	------------

Load Circuit

Number of changeover/switchover contacts	2
Contact material	AgNi
Limiting continuous current	8 A
Inrush current (resistive) max.	12 A (AC) / 4 s; 16 A / 20 ms
Switching voltage (max.)	250 VAC
Switching power (resistive) max.	2000 VA (AC); DC see load limit curve
Recommended minimum load	12 V / 10 mA
Pull-in time (typ.)	15 ms
Drop-out time (typ.)	8 ms
Bounce time (typ.)	7 ms
Mechanical life	5×10^6 switching operations

Signaling

Status indicator	Red LED
------------------	---------

Safety and Protection

Rated voltage	250 V
Rated surge voltage	4 kV
Pollution degree	2
Dielectric strength, control/load circuit (AC, 1 min)	3.5 kV _{rms}
Dielectric strength, open contact (AC, 1 min)	1 kV _{rms}
Dielectric strength, load/load circuit (AC, 1 min)	1.5 kV _{rms}
Protection type	IP20

Connection Data

Connection technology	CAGE CLAMP®
Solid conductor	0.08 ... 2.5 mm ² / 28 ... 14 AWG
Fine-stranded conductor	0.08 ... 2.5 mm ² / 28 ... 14 AWG
Strip Length	9 ... 10 mm / 0.35 ... 0.39 inch

Physical Data

Width	17.5 mm / 0.689 inch
Height from upper-edge of DIN-rail	55 mm / 2.165 inch
Depth	90 mm / 3.543 inch

Mechanical Data

Mounting type	DIN-35 rail
---------------	-------------

Material Data

Weight	59.5 g
--------	--------

Environmental Requirements

Surrounding air temperature (operation at U_N)	-25 ... +50 °C
Surrounding air temperature (storage)	-40 ... +70 °C
Processing temperature	-25 ... +50 °C

Standards and Specifications

Standards/specifications	EN 60664-1
--------------------------	------------